

***The producer of high efficient beveling systems***

***Fabricante de sistemas de biselado de alta eficacia***

***Producteur de systèmes de chanfreinage extrêmement efficaces***
















[www.beveler.eu](http://www.beveler.eu)  
[www.bevelerUSA.com](http://www.bevelerUSA.com)

# BEVELLING AND DEBURRING MACHINES

**B-LINE**  
HAND FEEDING

Type	Drive	Max. Bevel width
B2 AIR	pneumatic	2 mm / 0.08 in
B3	electric	5 mm / 0.2 in
B10 ELECTRA	electric	10 mm / 0.4 in
B15 ELECTRA	electric	15 mm / 0.6 in
B15 AIR	pneumatic	15 mm / 0.6 in
B22 ZERO	electric	20 mm / 0.83 in
UZ12 ULTRALIGHT	electric	12 mm / 0.47 in
UZ15 RAPID	electric	15 mm / 0.6 in
UZ18 HARDWORKER	electric	18 mm / 0.7 in
UZ29 SPEEDER	electric	29 mm / 1.14 in
UZ30 EXPRESS	electric	30 mm / 1.18 in
UZ50 TRIUMPH	electric	62 mm / 2.44 in

**UZ-LINE**  
AUTOMATIC FEEDING

Bevel angle	Rounding of the edge	Feeding	Page		
45°	R 1,5 mm 0.04 in	manual	2 - 3		Great ergonomics
30° - 60°	no	manual	4 - 5		
30°, 37,5°, 45° 50°, 60°	R 2,5 mm / 0.08 in R 3,5 mm / 0.12 in R 4 mm / 0.16 in	manual	6 - 7		
30°, 37,5°, 45° 50°, 60°	R 2,5 mm / 0.08 in R 3,5 mm / 0.12 in R 4 mm / 0.16 in	manual	8 - 9		
30°, 37,5°, 45° 50°, 60°	R 2,5 mm / 0.08 in R 3,5 mm / 0.12 in R 4 mm / 0.16 in	manual	10 - 11		
0° - 60° FACING	no	manual	12 - 13		Application FACING 0°
22,5°, 30°, 37,5° 45°, 50°	no	autofeed	14 - 15		The lightest with autofeeding
15° - 50°	no	autofeed	16 - 19		
15° - 50°	no	autofeed	20 - 23		Heavy - duty
22,5°, 30°, 37,5° 45°, 50°	no	autofeed	24 - 25		
30° - 60°	no	autofeed	26 - 27		
15° - 60°	no	autofeed	28 - 31		HARDOX applications
<b><i>New product!</i></b> G-LINE Mobile belt grinder PASOVEC RUNNER 75			32 - 33		



# B 2 AIR deburring system

Maximum bevel width 2 mm / 0.08 in. Edge rounding function.

# B 2 Air

Art. Nr. 24200



Ergonomic body of the machine

Weight only 400g

Precise scale of machining depth adjustment





**Designed for deburring and rounding edges of parts and products made of steel, stainless steel, aluminum and other materials. Suitable for machining holes from the internal diameter of 6.8 mm / 0.24 in.**

- The compact design offers great ergonomics.
- Weight only 400 g / 0.88 lb.
- Edge machining by rounding R1.5 mm / 0.06 in - edge preparation before painting.
- Powerful and reliable pneumatic drive.
- Precision machining scale allows for more precise machining.

**Technical data:**

Chamfering angle: 45°  
 Chamfering width (hypotenuse): 2 mm / 0.08 in as a maximum  
 Rounding radius: R 1,5 mm / 0.06 in  
 Speed: 23,000 rpm.  
 Material feed: manual  
 Air consumption: 320 l/min  
 Dimensions: 112 x 60 x 48 mm / 4.4 x 2.36 x 1.9 in  
 Weight: 400 g / 0.88 lb  
 Number of cutting tips: 3 pcs

**Included in price:**

B2 AIR deburring system - fitted with head with cutting tips  
 Tools for operators  
 Packed in a paper box  
 Operating Instruction manual

**Mashine name:**

**Art. Nr.**

B2 AIR deburring system - fitted with head with cutting tips

24200



**Příslušenství:**

**Art. Nr.**

Tips B2 AIR (pack of 10 pcs)	24201
Tips radius R1.5mm (pack of 10 pcs)	24202
Tips B2 AIR, coated (pack of 10 pcs)	24204
Pneumatic set with quick couplings (contains: FRL - filtration, regulator and lubrication unit, quick couplings, hoses 10 m)	24203
Screw for the inserts	7252F-04



Art. Nr. 24203



Art. Nr. 24201



Art. Nr. 24204



Art. Nr. 24202



**Immediately from our warehouse**

# B 3



Art. Nr. 28220 (3 Phase - 400 V)  
Art. Nr. 28211 (1 Phase - 110 V)





**Designed for deburring and bevelling of steel parts and workpieces. Processing of different types of materials. Solid and stable machine design.**

- Scale for Machining depth adjustment.
- Protective safety covers.
- Optional setting of chamfering angle.
- For steel, stainless steel, aluminium and other materials.
- Precise massive and over-long cam chain guides.

**Technical data:**

Bevel angle: 30° - 60° continuously adjustable  
 Bevel width: 45° 0 - 5 mm / 0.02 in - 400 MPa / 58 015 PSI  
 60° 0 - 3 mm / 0.12 in - 400 MPa / 58 015 PSI  
 Motor: 1300 W  
 Speed: 3 600 rpm  
 Feed: manual  
 Weight: 25 kg / 61.7 lb  
 Dimensions: 530 x 420 x 410 mm / 21 x 16.5 x 16.1 in  
 Number of cutting tips: 5 pcs (four-sided)

**Included in price:**

Bevelling system complete - fitted with head and cutting tips.  
 Supply cable without plug.  
 Operator tools.  
 Instruction manual.  
 Packed in a cardboard box.

Machine name:	Art. Nr.
Deburring and bevelling system B3 (3 Phase - 400 V)	28220
Deburring and bevelling system B3 (1 Phase - 110 V)	28211

Accessories:	Art. Nr.
Replacement cutting head (fitted with cutting tips)	28221
Coated Cutting Plates (Pack of 10)	25909

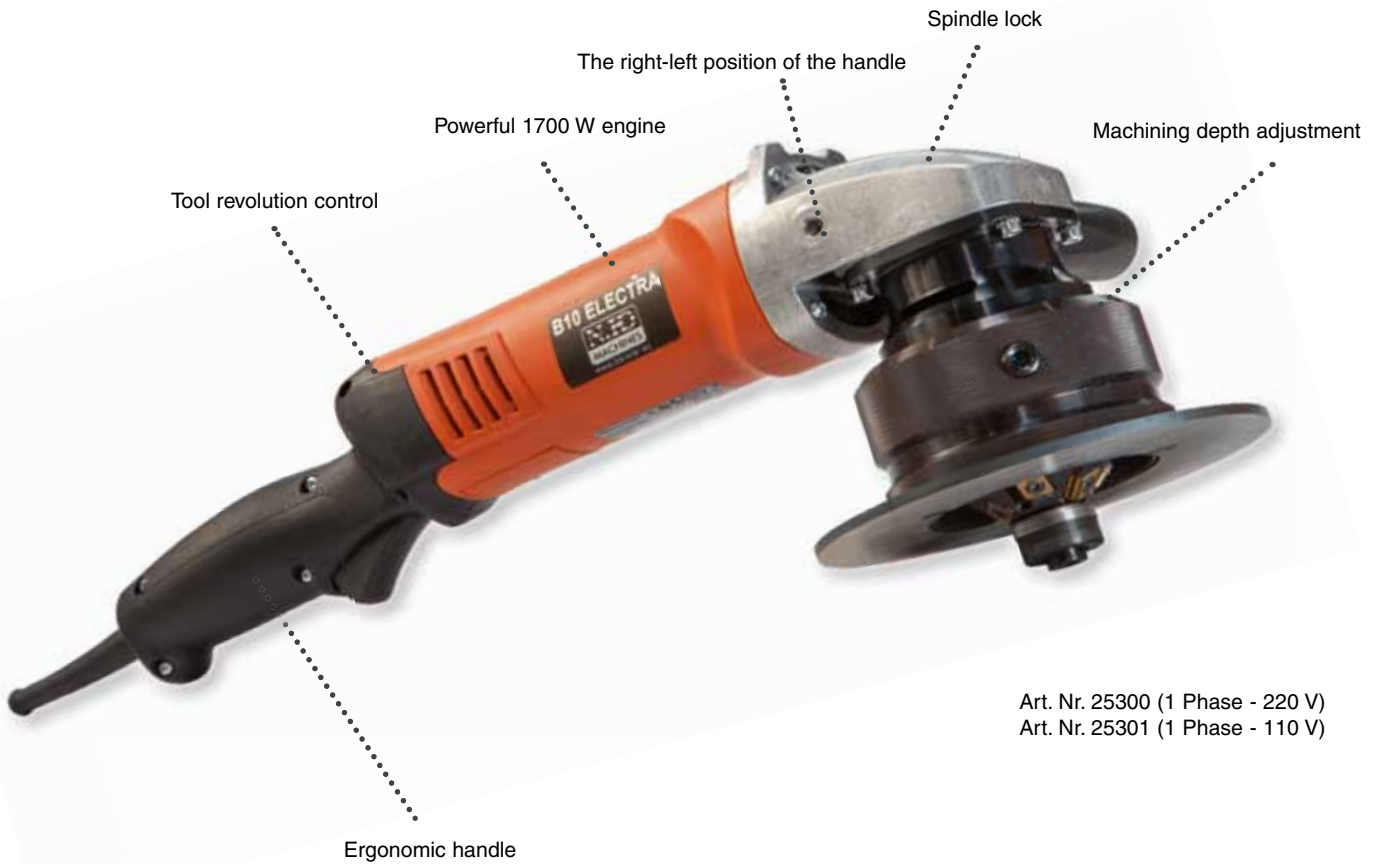


Art. Nr. 28221



Art. Nr. 25909

# B 10 Electra



Art. Nr. 25300 (1 Phase - 220 V)  
Art. Nr. 25301 (1 Phase - 110 V)







Designed for beveling and deburring parts, internal and external radii and holes.

Specially designed for producing bevels and welding preparation.

Durable and stable machine design without compromises.

Thanks to the special design of the cutting head you will you save ½ tips at reductions of up to 8 mm / 0.31 in of the bevel width.

- Scale for accurate bevel size adjustment.
- For beveling and deburring steel, aluminium and other materials.
- Replaceable head for changing bevel angle.
- Handheld powerful equipment.
- Electronic Speed Control.
- Edge rounding function, preparation before surface treatment.

**Technical data:**

Bevel angle: replaceable head 30°, 37,5°, 45°, 50°, 60°- other angles on demand  
 Bevel width: 0 to 10mm / 0 to 0.4 in < 400 MPa / 58 015 PSI  
 0 to 5mm / 0 to 0.2 in > 400 MPa / 58 015 PSI  
 Engine: 1700 W  
 Speed: 2700 - 8 500 rpm  
 Overload protection: thermal  
 Feed: manual  
 Weight: 6 kg / 13.2 lb  
 Numbers of cutting tip: Tips: 6 pcs (up to bevel width 8mm, only 3pcs in the angle)

**Included in price:**

Beveling and deburring system B 10 ELECTRA (without head)  
 Cardboard box  
 Tools for operators  
 Instruction manual

Machine name:	Art. Nr.
The B 10 ELECTRA beveling and deburring system (1 Phase - 220 V)	25300
The B 10 ELECTRA beveling and deburring system (1 Phase - 110 V)	25301

Accessories:	Art. Nr.
30° cutting head (including tips, screws, bolts and roller). Guide roller diameter Ø 34 mm / 1.34 in	27223
37.5° cutting head (including tips, screws, bolts and roller). Guide roller diameter Ø 28 mm / 1.10 in	27227
45° cutting head (including tips, screws, bolts and roller). Guide roller diameter Ø 28 mm / 1.10 in	27222
50° cutting head (including tips, screws, bolts and roller). Guide roller diameter Ø 28 mm / 1.10 in	27224
60° cutting head (including tips, screws, bolts and roller). Guide roller diameter Ø 27 mm / 1.06 in	27240
Cutting head with non-standard angle. (Including tips, screws, bolts and roller)	27XXX
Coated cutting tips - four-sided (pack of 10)	27231
Edge rounding cutter R2.5 mm / 0.08 in (including tips, screws, bolts and roller). Guide roller diameter Ø 41 mm / 1.61 in	27234
Edge rounding cutter R3.5 mm / 0.12 in (including tips, screws, bolts and roller). Guide roller diameter Ø 40 mm / 1.57 in	27233
Cutting tips for rounding edges R2.5 mm / 0.08 in (pack of 10)	26109
Cutting tips for rounding edges R3.5 mm / 0.12 in (pack of 10)	26110
Cutting tips for rounding edges R4mm / 0.16 in (10pcs). Compatible with head R3.5 mm / 0.12 in	26111
Screw for the inserts	27241



Art. Nr. 27234



Art. Nr. 27223



Art. Nr. 26109



Art. Nr. 27231



# B 15 Electra





**Designed for beveling and deburring of parts, internal and external radii and holes.  
Specially designed for producing visual bevel and welding preparation.  
Powerful electric drive for extreme loads.**

- Scale for accurate bevel size adjustment.
- For beveling and deburring of steel, aluminium and other materials.
- Replaceable head for changing bevel angle.
- Handheld powerful equipment.
- Swivelling ergonomic handle.
- Edge rounding function, preparation before surface treatment.

**Technical data:**

Bevel angle: Replaceable head 30°, 37,5°, 45°, 50°, 60°- other angles on demand  
 Bevel width: 0 to 15 mm / 0 to 0.06 in < 400 MPa / 58 015 PSI  
 0 to 8 mm / 0 to 0.31 in > 400 MPa / 58 015 PSI  
 Engine: 2500 W / 2000W  
 Speed: 6600 rpm  
 Weight: 9.5 kg / 20.9 lb  
 Number of cutting tips: 6 pcs

**Included in price:**

Beveling and deburring system B 15 ELECTRA (without head)  
 Cardboard box  
 Tools for operators  
 Instruction manual

Machine name:	Art. Nr.
Beveling and deburring system B 15 ELECTRA (1 Phase - 220 V)	25250
Beveling and deburring system B 15 ELECTRA (1 Phase - 110 V)	25251

Accessories:	Art. Nr.
30° cutting head (including tips, screws, bolts and roller). Guide roller diameter Ø 34 mm / 1.34 in	27223
37.5° cutting head (including tips, screws, bolts and roller). Guide roller diameter Ø 28 mm / 1.10 in	27227
45° cutting head (including tips, screws, bolts and roller). Guide roller diameter Ø 28 mm / 1.10 in	27222
50° cutting head (including tips, screws, bolts and roller). Guide roller diameter Ø 28 mm / 1.10 in	27224
60° cutting head (including tips, screws, bolts and roller). Guide roller diameter Ø 27 mm / 1.06 in	27240
Cutting head with non-standard angle. (Including tips, screws, bolts and roller)	27XXX
Coated cutting tips - four-sided (pack of 10)	27231
Edge rounding cutter R2.5 mm / 0.08 in (including tips, screws, bolts and roller). Guide roller diameter Ø 41 mm / 1.61 in	27234
Edge rounding cutter R3.5 mm / 0.12 in (including tips, screws, bolts and roller). Guide roller diameter Ø 40 mm / 1.57 in	27233
Cutting tips for rounding edges R2.5 mm / 0.08 in (pack of 10)	26109
Cutting tips for rounding edges R3.5 mm / 0.12 in (pack of 10)	26110
Cutting tips for rounding edges R4mm / 0.16 in (10pcs). Compatible with head R3.5 mm / 0.12 in	26111
Screw for the inserts	27241



Art. Nr. 27234



Art. Nr. 27223



Art. Nr. 26109



Art. Nr. 27231



# B 15 Air

Powerful 2984 W pneumatic engine

Heavy-duty design

Machining depth adjustment



Art. Nr. 27220

## HEAVY-DUTY





**Designed for bevelling and deburring of shaped parts, internal and external radii and holes.  
Specially designed for producing visual bevels and welding preparation.  
Powerful pneumatic drive for extreme loads.**

- Scale for accurate bevel size adjustment.
- For bevelling and deburring of steel, aluminium and other materials.
- Replaceable head for changing bevel angle.
- Powerful handheld equipment.
- Also suitable for explosion-risk operations.
- Edge rounding function, preparation before surface treatment.

**Technical data:**

Bevel angle: Replaceable head 30°, 37,5°, 45°, 50°, 60°- other angles on demand  
 Bevel width: 0 to 15 mm / 0 to 0.06 in < 400 MPa / 58 015 PSI  
 0 to 8 mm / 0 to 0.31 in > 400 MPa / 58 015 PSI  
 Engine: Pneumatic  
 Engine Power: 2984 W  
 Speed: 6000 rpm  
 Air consumption: 750 l/min  
 Operating pressure: 6 bar / 87.02 PSI  
 Weight: 7,5 kg / 16.5 lb  
 Number of cutting tips: 6 pcs

**Included in price:**

B 15 AIR bevelling and deburring system (without head)  
 Cardboard box  
 Tools for operators  
 Instruction manual

Machine name:	Art. Nr.
Bevelling and deburring system B 15 AIR	27220

Accessories:	Art. Nr.
30° cutting head (including tips, screws, bolts and roller). Guide roller diameter Ø 34 mm / 1.34 in	27223
37.5° cutting head (including tips, screws, bolts and roller). Guide roller diameter Ø 28 mm / 1.10 in	27227
45° cutting head (including tips, screws, bolts and roller). Guide roller diameter Ø 28 mm / 1.10 in	27222
50° cutting head (including tips, screws, bolts and roller). Guide roller diameter Ø 28 mm / 1.10 in	27224
60° cutting head (including tips, screws, bolts and roller). Guide roller diameter Ø 27 mm / 1.06 in	27240
Cutting head with non-standard angle. (Including tips, screws, bolts and roller)	27XXX
Coated cutting tips - four-sided (pack of 10)	27231
Edge rounding cutter R2.5 mm / 0.08 in (including tips, screws, bolts and roller). Guide roller diameter Ø 41 mm / 1.61 in	27234
Edge rounding cutter R3.5 mm / 0.12 in (including tips, screws, bolts and roller). Guide roller diameter Ø 40 mm / 1.57 in	27233
Cutting tips for rounding edges R2.5 mm / 0.08 in (pack of 10)	26109
Cutting tips for rounding edges R3.5 mm / 0.12 in (pack of 10)	26110
Cutting tips for rounding edges R4mm / 0.16 in (10pcs). Compatible with head R3.5 mm / 0.12 in	26111
Screw for the inserts	27241
Pneumatic set (air filtration, lubrication and air pressure control unit, 10 m pressure hose including the respective couplings)	27221



Art. Nr. 27234



Art. Nr. 27223



Art. Nr. 26109



Art. Nr. 27221



Art. Nr. 27231

# B 22 Zero



Additional positionable handle

Direct reading of bevel height settings

Art. Nr. 29200 (3Phase - 400 V)  
Art. Nr. 29211 (3Phase - 480 V)  
Art. Nr. 29212 (3Phase - 220 V)



Powerful 3-phase  
1100 W motor

Travel rollers

Fast lockable machine setting

Precision bevel angle adjustment scale





**Designed for bevelling and deburring straight faces, for the so-called FACING - removing the unwanted layer of materials on the workpiece edge resulting from cutting the metal sheet by burning. Specially designed for the production of visual bevels and welding preparation. Powerful electric drive for extreme loads.**

- High-performance 3-phase motor.
- The possibility of continuous adjustment of the working angle in the range of 0° - 60°.
- The machine is capable of performing FACING - edge processing at an angle of 0° to remove unwanted material layer after cutting by burning.
- The unique scaling mechanism of the bevel size increases the precision of work.
- A very compact and ergonomic design allows for high labour productivity.
- The all-round protection frame protects the machine in the event of a fall and allows more options of gripping the machine at work.
- When purchasing the appropriate equipment, pipes and tubes can be bevelled from Ø 150 mm / 5.9 in.
- Additional adjustable handle.

**Technical data:**

Bevel angle: continuously adjustable between 0° - 60°  
 Bevel width: 0 to 20 mm / 0 to 0.79 in < 400 MPa / 58 015 PSI  
 0 to 16 mm / 0 to 0.63 in > 400 MPa / 58 015 PSI  
 Engine: 1100 W  
 Speed: 2850 rpm  
 Weight: 19,5 kg / 43 lb  
 Number of tips: 10 pcs

**Included in price:**

Bevelling and deburring system B 22 ZERO  
 Cardboard box  
 Tools for operators  
 Instruction manual

Machine name:	Art. Nr.
Bevelling and deburring system B 22 ZERO (3Phase - 400 V)	29200
Bevelling and deburring system B 22 ZERO (3Phase - 220 V)	29212
Bevelling and deburring system B 22 ZERO (3Phase - 480 V)	29211

Accessories:	Art. Nr.
Standard cutting head (including tips and screws)	29201
Standard cutting tips (pack of 10 pcs)	29203
Premium cutting head - designed for stainless steel (including tips and screws)	29202
Premium cutting tips (pack of 10 pcs)	29205
Additional adjustable handle	29206
Pipe and tube bevelling from Ø 150 mm	29204
Screw for the inserts	29200.9300



Art. Nr. 29201



Art. Nr. 29206



Art. Nr. 29204



Art. Nr. 29203

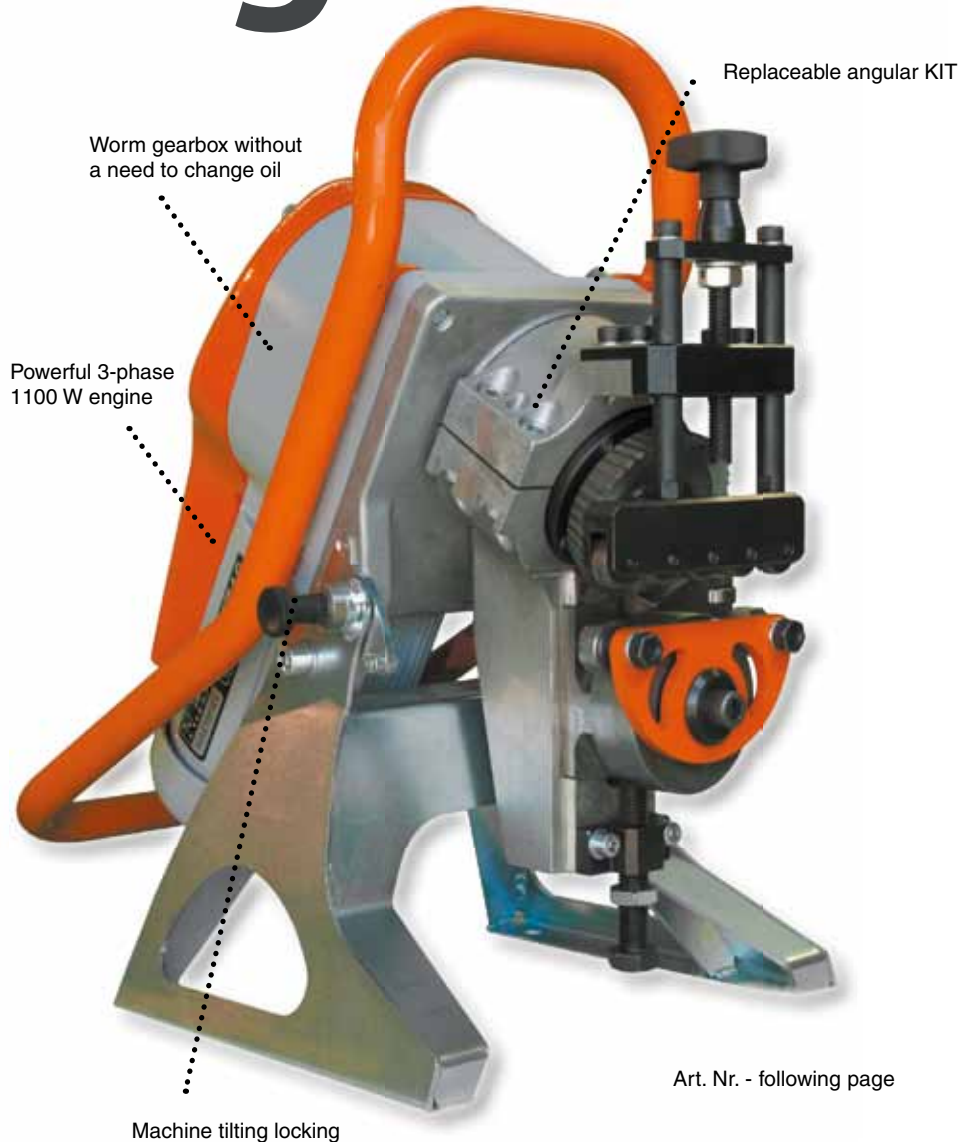
# UZ 12 Ultralight



  
**Incredibly  
quiet operation**



**3 BEVELERS  
IN ONE**





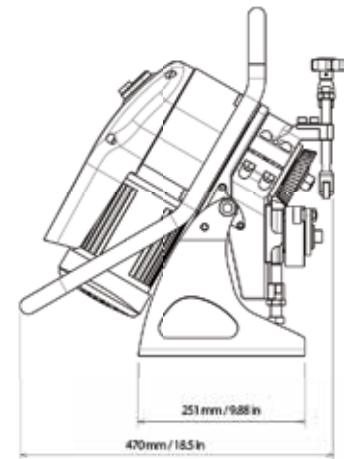
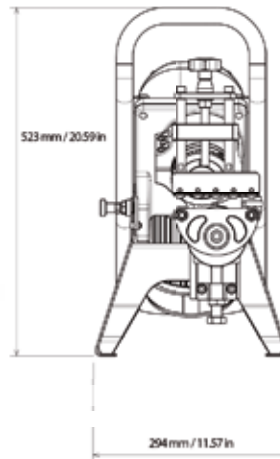


**The UZ12 ULTRALIGHT is one of the lightest beveling machines with the automatic feed in the market. Due to its compact size and low weight it is perfect both for workshops but also for assemblies. The machine is equipped with the automatic feed. Working with UZ12 ULTRALIGHT is therefore very comfortable. The quietest beveling system in the market.**

- For conventional steel (up to strength of 600 MPA / 87 022 PSI), stainless steel, brass, copper and aluminium materials.
- For beveling material with minimum dimensions - width 65 mm / 2.56 in, length 60 mm / 2.36 in, thickness 3 mm / 0.12in.
- Thickness of bevelled material 3 - 35 mm / 0.12 - 1.37 in.
- Beveling pipes from the internal Ø 95 mm / 3.74 in.
- The bevel angle can be changed using replaceable clamps (KIT for a given angle).
- The device is capable of performing double-sided bevel (X, K) without the need for material handling.
- Supersilent drive. The machine is not nearly heard.
- The machine is equipped with an automatic feed.
- Possibility of stationary and mobile use.
- The machine works on large workpieces without support at a speed of 1.8 m/min / 5.9 ft/min.
- Smaller parts of the material are inserted directly into the machine.
- Lightweight and compact design. One-man machine.
- Thermal protection of the motor

**Technical data:**

Max. bevel width: 12 mm / 0.47 in  
 Bevel angle: 30°, 45°, 22.5°, 37.5°, 50° (replaceable KIT)  
 Thickness of bevel. material: 3 - 35 mm / 0.12 - 1.37 in  
 Engine: 400 W  
 Feed: 1,8 m/min. / 5.9 ft/min.  
 Weight: 30 kg / 66 lb  
 Dimensions: 470 x 294 x 523 mm / 18.5 x 11.57 x 20.59 in



**Included in price:**

Beveling system UZ 12 ULTRALIGHT  
 Tools for operators  
 Instruction manual:

**Machine name:**

	Art. Nr. - 400V 3 phase	Art. Nr. - 480V 3 phase	Art. Nr. - 220V 3 phase
Beveling system UZ 12 ULTRALIGHT - set (KIT 30°)	1920	1820	1914
Beveling system UZ 12 ULTRALIGHT - set (KIT 45°)	1921	1821	1915
Beveling system UZ 12 ULTRALIGHT - set (KIT 30° + 45°)	1922	1819	1913
Beveling system UZ 12 ULTRALIGHT - set (KIT 22,5° + 30° + 37,5° + 45° + 50° + pipe beveling tool)	1918	1818	1912

**Accessories:**

	Art. Nr.
ECO cutting tool - suitable for conventional steel	1927
ECO cutting tool - suitable for conventional steel - 2 + 1 free set	1928
PVD cutting tool - suitable for tougher materials	1916
PVD cutting tool - suitable for tougher materials - 2 + 1 free set	1935
Separate KIT 22.5°	1926
Separate KIT 30°	1923
Separate KIT 37.5°	1925
Separate KIT 45°	1924
Separate KIT 50°	1929
Pipe and tube beveling fixture from Ø 95 mm / 3.74 in (internal diameter)	1919
3D Manipulator - allows you to rotate the machine by 180° thus creating a two-sided bevel and facilitates the machine transport at the workplace.	1930
Adapter for connecting UZ 12 Ultralight with the 3D Manipulator	1911



Art. Nr.1928



Art. Nr. 1927



Art. Nr. 1930



Art. Nr.1919



Art. Nr. 1923

# UZ 15 Rapid



Incredibly quiet operation



3D adaptive system



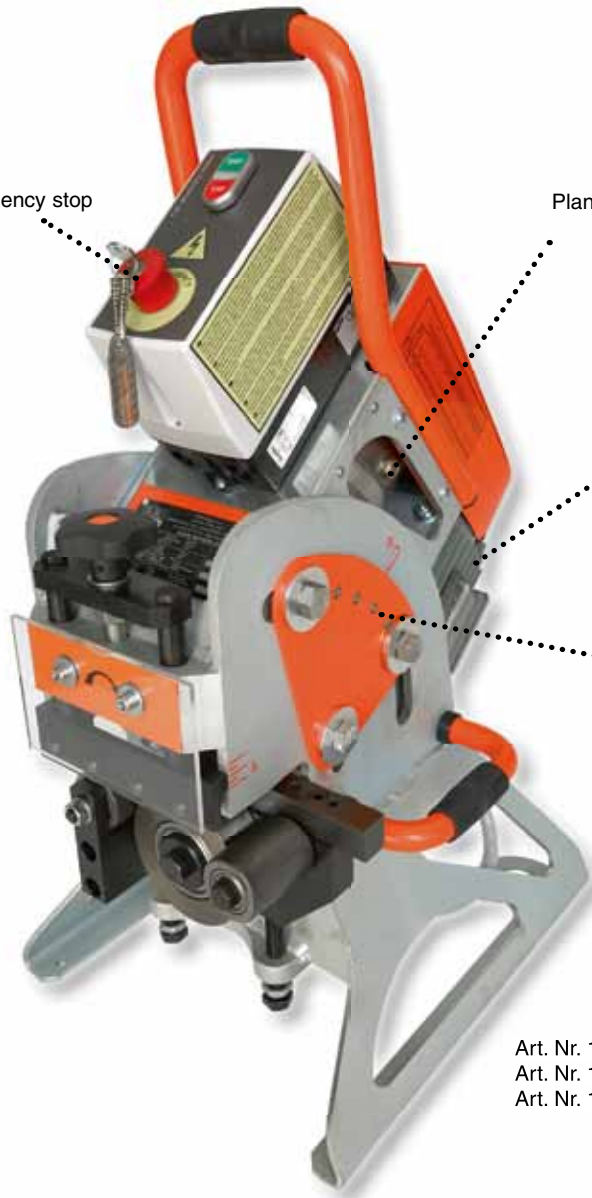
**3** BEVELERS  
IN ONE

Emergency stop

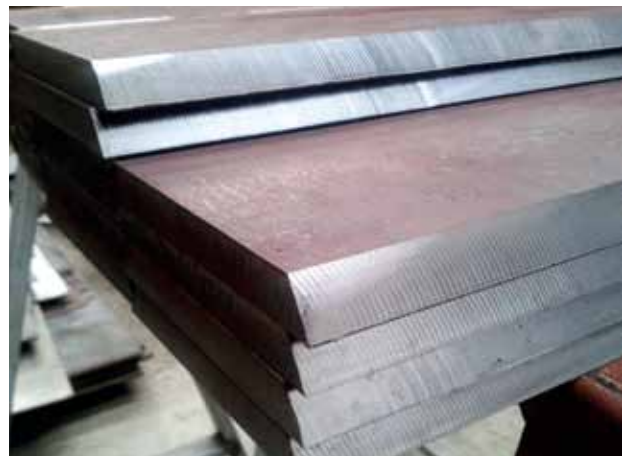
Planet gearbox

Powerful 3-phase  
1500W engine

Continuous setting  
of 15° - 50° angle



Art. Nr. 1931 (3 Phase - 400 V)  
Art. Nr. 1934 (3 Phase - 480 V)  
Art. Nr. 1933 (3 Phase - 220 V)



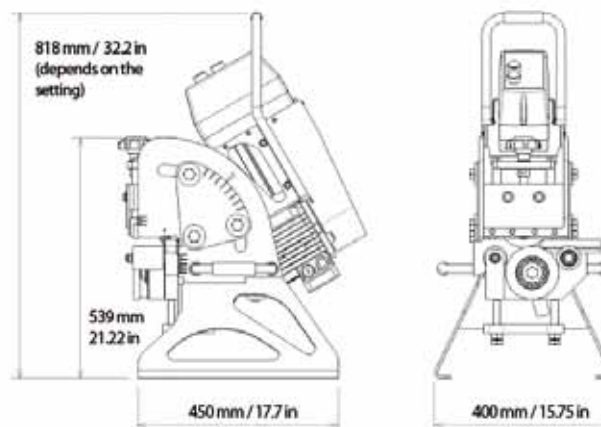


The UZ15 RAPID machine is one of the fastest automatic bevelling machines with the automatic feed in the market. It is suitable not only for workshops, but also for assembly operations. It has a continuous working angle adjustment system. In addition, the machine is equipped with an automatic feed. Working with UZ15 Rapid is therefore very comfortable.

- For conventional steel (up to 600 MPa / 87 022 PSI), brass, copper and aluminium.
- For bevelling material with minimum dimensions - width 70 mm / 2.75 in, length 150 mm / 5.9 in, thickness 6 mm / 0.23 in.
- Thickness of bevelled material 6 to 40 mm / 0.23 to 1.57 in .
- The bevel angle is easily adjustable from 15° to 50° smoothly, without the need to replace any part.
- The device is capable of performing double-sided bevel (X, K) without the need for material handling.
- Easy connection to the 3D Manipulator for easier operation and handling.
- The machine is equipped with an automatic feed.
- Possibility of stationary and mobile use.
- The machine works on large workpieces without support at a speed of 3.5 m/min / 11.48 ft/ min.
- Smaller parts of the material are inserted directly into the machine.
- Advantageous price when purchasing UZ15 RAPID together with the 3D Manipulator.

**Technical data:**

Max. bevel width:	15 mm / 0.6 in
Continuously adjustable angle:	15° - 50°
Thickness of bevelled material:	6 to 40 mm / 0.23 to 1.57 in
Engine:	1500 W
Feed:	3,5 m/min. / 11.48 ft/min.
Weight:	94 kg / 207 lb
Dimensions:	530 x 395 x 860 mm 20.9 x 15.5 x 33.9 in



**Included in price:**

- UZ 15 RAPID bevelling system
- Tools for operators
- Instruction manual

**Machine name:**

**Art. Nr.**

Bevelling system UZ 15 RAPID (3 Phase - 400 V)	1931
Bevelling system UZ 15 RAPID (3 Phase - 480 V)	1934
Bevelling system UZ 15 RAPID (3 Phase - 220 V)	1933

**Accessories:**

**Art. Nr.**

ECO cutting tool - suitable for conventional steel	2137
ECO cutting tool - suitable for conventional steel - 2 + 1 free set	2134
PVD cutting tool - suitable for tougher materials	2142
PVD cutting tool - suitable for tougher materials - 2 + 1 free set	1936
PREMIUM Cutting Tool - coated TiN, suitable for conventional steel	2136
3D Manipulator - allows you to rotate the machine by 180° to create a two-sided bevel and facilitates the machine transport across the workplace.	1930



Art. Nr. 2136



Art. Nr. 2134



Art. Nr. 2137



Art. Nr. 1936



Art. Nr. 1930

# UZ 15 Rapid + 3D manipulator set



Silent operation



3D adaptive system

Art. Nr. 1932 (3 Phase - 400 V)  
 Art. Nr. 1937 (3 Phase - 480 V)  
 Art. Nr. 1938 (3 Phase - 220 V)

Rotary mechanism allows to carry out double-sided bevelling without the need for material handling.

Machine position height adjustment.

3D adaptive system compensates for inequalities of floor and allows for machine positioning according to the situation at a workplace

Quick connect machine system



**set UZ 15 RAPID + Manipulator 3D**

180°

**3 BEVELERS IN ONE**



The UZ15 RAPID machine is one of the fastest bevelling machines with the automatic feed in the market. It is not only suitable for workshops, but also for assembly operations. It has a continuous working angle adjustment system. In addition, the machine is equipped with an automatic feed. Working with UZ15 Rapid is therefore very comfortable.

The unique 3D MANIPULATOR - unique design of the manipulator offers the possibility of a simple turning of the bevelling machine by 180° for performing the X, K double-sided bevel. There is no need to use any tools for rotation. No need to handle material = big time savings.

The quick-connect system offers the ability to connect and disconnect the UZ15 RAPID from the 3D Manipulator within seconds without the use of any tools. This will be used in a situation where the 3D Manipulator cannot track the machine due to the poor quality of the working floor. The machine is then able to drive along the material itself. The 3D manipulator system enables the machine to adapt its working position to the current workplace situation, the UZ15 RAPID so-called „floats“ on the machined metal sheet and compensates for any unevenness of the floor or material deformation.

The 3D manipulator also ensures convenient transport of the machine across the workplace.

The lifting mechanism allows an easy adjustment of the working height of the machine.

Large castors guarantee comfortable overtaking of obstacles and inequalities.

Working with or without the 3D Manipulator is possible.

Possibility to use 3D Manipulator as a fixed workstation for small pieces processing or as a UZ15 RAPID service bracket.

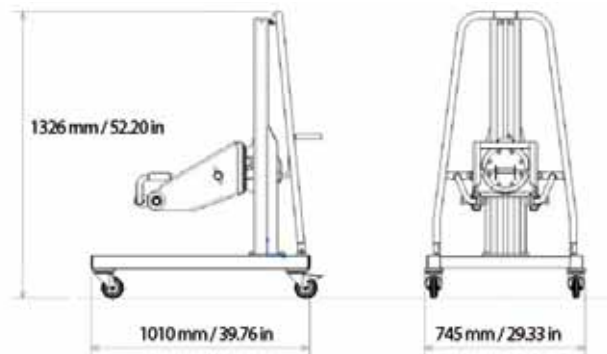
- The manipulator allows for a quick and easy rotation of the UZ 15 RAPID machine by 180° to create double-sided bevelling in X or K shape. A worker does not need a crane to turn material - great time savings at work.
- The unique clamping system enables to clamp the UZ 15 RAPID machine and to remove it from the manipulator within a few seconds without any use of tools.
- The UZ 15 RAPID “floats” in the 3D MANIPULATOR and compensates for floor unevenness.
- The 3D MANIPULATOR enables easy machine handling.
- The required height of the machine can be adjusted using the lifting device.
- The movement is allowed by massive wheels mounted on the manipulator.
- The possibility to bevel using the 3D manipulator or without it.
- The possibility to use the 3D Manipulator as a stationary station.
- The possibility to use the 3D Manipulator as a service station for the maintenance of UZ 15 RAPID.

**Technical data:**

Weight of the whole set: 179 kg / 394 lb  
 Dimensions: 1010 x 745 x 1326 mm  
 39.76 x 29.33 x 52.2 in

**Included in price:**

Bevelling system UZ 15 RAPID including 3D MANIPULATOR  
 Wooden transport box  
 Tools for operators  
 Instruction manual



**Machine name:**

**Art. Nr.**

Bevelling system UZ 15 RAPID including the 3D MANIPULATOR (3 Phase - 400 V)	1932
Bevelling system UZ 15 RAPID including the 3D MANIPULATOR (3 Phase - 480 V)	1937
Bevelling system UZ 15 RAPID including the 3D MANIPULATOR (3 Phase - 220 V)	1938



# UZ 18 HardWorker



Incredibly silent operation



3D adaptive system



Art. Nr. 1980 (3 Phase - 400 V)  
Art. Nr. 1981 (3 Phase - 480 V)  
Art. Nr. 1982 (3 Phase - 220 V)

**3** BEVELERS  
IN ONE



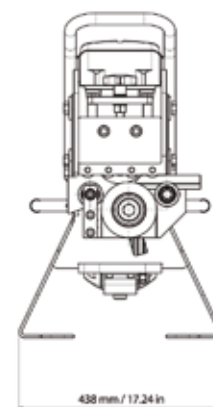
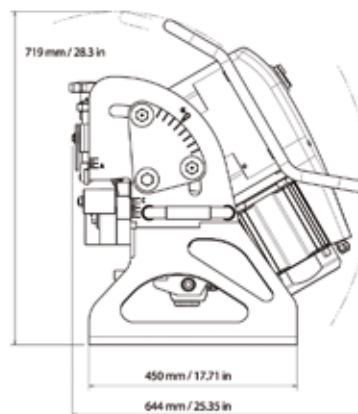


The UZ 18 Hardworker machine is one of the most powerful bevelling machines with the automatic feed in the market. It is suitable not only for workshops, but also for assembly operations. It has a continuous working angle adjustment system. Thanks to the special design of the drive system, the UZ 18 Hardworker is also suitable for tougher materials. The machine is equipped with the automatic feed. Working with UZ 18 Hardworker is therefore very comfortable.

- For steel (strength up to 700 MPa / 101 526 PSI), brass, copper and aluminium.
- For bevelling material with minimum dimensions - width 70 mm / 2.75 in, length 150 mm / 5.9 in, thickness 6 mm / 0.23 in.
- Thickness of bevelled material 6 to 40 mm / 0.23 to 1.57 in.
- The bevel angle is easily adjustable from 15° to 50° - smoothly, without the need to replace any part.
- The equipment is capable of performing double-sided bevelling (X, K) without the need for material handling.
- Easy connecting to the 3D Manipulator for easier operation and handling.
- The machine is equipped with an automatic feed.
- The possibility of stationary and mobile use.
- The machine works on large workpieces without support.
- Smaller parts of the material are inserted directly into the machine.
- An advantageous price when purchasing UZ 18 Hardworker together with the 3D Manipulator.

**Technical data:**

Max. bevel width: 18 mm / 0.71 in (600 MPa / 87 022 PSI)  
 Continuously adjustable angle: 15° - 50°  
 Thickness of bevel. material: 6 to 40 mm / 0.23 to 1.57 in  
 Engine: 750 W  
 Feed: 1,9 m/min. / 6.23 ft/min.  
 Weight: 110 kg / 242.5 lb  
 Dimensions (WxHxD): 438 x 719 x 644 mm  
 17.24 x 28.3 x 25.35 in



**Included in price:**

Bevelling system UZ 18 Hardworker  
 Tools for operators  
 Instruction manual

**Machine name:**

**Art. Nr.**

BEVELLING SYSTEM UZ 18 HARDWORKER (3 Phase - 400 V)	1980
BEVELLING SYSTEM UZ 18 HARDWORKER (3 Phase - 480 V)	1981
BEVELLING SYSTEM UZ 18 HARDWORKER (3 Phase - 220 V)	1982

**Accessories:**

**Art. Nr.**

ECO cutting tool - suitable for conventional steel	2137
ECO cutting tool - suitable for conventional steel - 2 + 1 free set	2134
PVD cutting tool - suitable for tougher materials	2142
PVD cutting tool - suitable for tougher materials - 2 + 1 free set	1936
PREMIUM Cutting Tool - coated TiN, suitable for conventional steel	2136
3D Manipulator - allows you to rotate the machine by 180° to create a two-sided bevel and facilitates the machine transport at the workplace	1930



Art. Nr. 2136



Art. Nr. 2134



Art. Nr. 2137



Art. Nr. 1936



Art. Nr. 1930



# UZ 18 HardWorker + 3D Manipulator set



Silent operation



3D adaptive system

3D adaptive system compensates for the unevenness of the floor and enables positioning of the machine according to the situation at the workplace.



Rotary mechanism allows for performing both-side beveling without any need for material handling.

Height adjustment of the machine position.

Quick-fastening machine system quick-connect



**3** BEVELERS  
IN ONE

Art. Nr. 1983 (3 Phase - 400 V)  
Art. Nr. 1984 (3 Phase - 480 V)  
Art. Nr. 1985 (3 Phase - 220 V)





The UZ 18 Hardworker is one of the most powerful beveling machines with the automatic feed in the market. Suitable both for workshop installation and assembly works. It is equipped with the continuous working angle adjustment system. Thanks to the special design of the drive system, the UZ 18 Hardworker is also suitable for tougher materials. The machine is equipped with the automatic feed. Therefore, working with UZ 18 Hardworker is very comfortable.

Unique MANIPULATOR 3D - unique design of the manipulator offers the possibility of a simple turning of the beveling machine by 180° for performing the X, K double-sided bevel. No tools required to rotate. No need for material handling = significant time savings. The quick-connect system offers the option to connect and disconnect the UZ 18 Hardworker from the 3D Manipulator within seconds without the use of any tools. You will appreciate this in a situation where the 3D Manipulator cannot follow the machine due to the poor quality of the working floor. The machine is then able to travel along the material itself. The 3D manipulator system allows for the machine to adapt its working position to the actual workplace situation.

The UZ 18 Hardworker “floats” on a machined sheet metal and compensates for any floor unevenness or material deformation. The 3D manipulator also ensures convenient transport of the machine at the workplace. The lifting mechanism allows for easy adjustment of the working height of the machine. Large castors guarantee comfortable overcoming of obstacles and unevenness.

Optional working with or without 3D Manipulator.

The option to use the 3D Manipulator as a fixed workstation for small work pieces machining or as a UZ 18 Hardworker Service Holder.

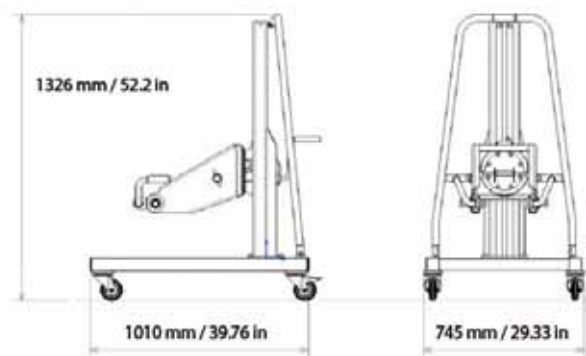
- The manipulator enables a quick and easy turning of the UZ 18 Hardworker by 180° to form the X- or K- shaped double-sided bevel. An operator does not need a crane to rotate the material - significant time savings at work.
- A unique clamping system allows the UZ 18 Hardworker to be clamped and then removed from the manipulator within a few seconds without the use of tools.
- The UZ 18 Hardworker “floats” in 3D MANIPULATOR and compensates for floor unevenness.
- 3D MANIPULATOR enables easy handling of the machine.
- The required height of the machine can be adjusted using the lifting device.
- The movement is provided by massive wheels mounted on the manipulator.
- Optional beveling using the Manipulator 3D or without it.
- Optional use of the Manipulator 3D as a stationary station.
- Optional use of the Manipulator 3D as a service station for the maintenance of the UZ 18 Hardworker.

**Technical data:**

Weight of the whole set: 204 kg / 449.7 lb  
 Dimensions: 1010 x 745 x 1326 mm  
 39.76 x 29.33 x 52.2 in

**Included in price:**

Beveling system UZ 18 HARDWORKER including the 3D MANIPULATOR  
 Wooden transport box  
 Set of operator tools  
 Instruction manual



**Name of machine:**

**Art. Nr.**

Beveling system UZ 18 HARDWORKER including the 3D MANIPULATOR (3 Phase - 400 V)	1983
Beveling system UZ 18 HARDWORKER including the 3D MANIPULATOR (3 Phase - 480 V)	1984
Beveling system UZ 18 HARDWORKER including the 3D MANIPULATOR (3 Phase - 220 V)	1985



# UZ 29 Speeder

## COMING SOON

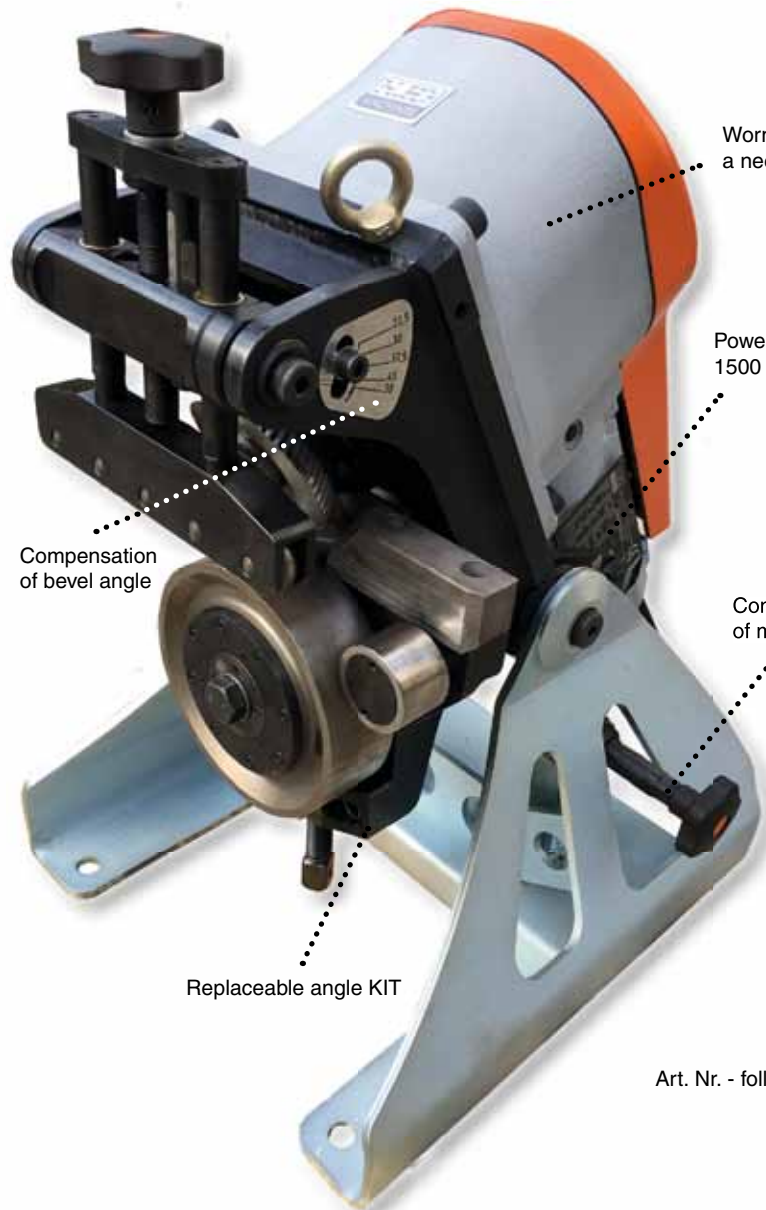


Incredibly quiet operation



3D adaptive system

**2** BEVELERS  
IN ONE



Worm-gear unit without a need for changing oil

Powerful 3-phase 1500 W engine

Compensation of bevel angle

Compensation of machine tilting

Replaceable angle KIT



Art. Nr. - following page





**UZ29 SPEEDER machine is one of the largest and most powerful machines in the field of rotary cutting bevelling machines. Of course, the machine is equipped with an automatic feed and can be used as a stationary machine designed for large and small series of smaller workpieces, but at the same time can be used as a mobile bevelling system when the machine travels along the machined metal sheet at a rate of almost two meters per minute. The UZ29 SPEEDER machine is capable of machining both standard and stainless steel. The machine has a supersilent drive therefore not increasing the noise at workplace.**

- For conventional steel (up to strength 700 MPa / 101 526 PSI), stainless steel, brass, copper and aluminium materials.
- The bevelled material thickness 6 to 60 mm / 0.23 to 2.36 in.
- The bevel angle can be adjusted by means of removable straps (KIT for a given angle).
- The device is able to perform the double-sided bevel (X, K), without any need for material handling.
- Supersilent drive. The machine is almost inaudible.
- The machine is equipped with the automatic feed.
- The possibility of stationary and mobile use.
- Smaller parts of the material are inserted directly into the machine.
- Lightweight and compact design. The one-man machine.
- Made in the Czech Republic.

**Technical data:**

Max. bevel width:	29 mm / 1.14 in
Bevel angle:	30°, 45°, 22.5°, 37.5°, 50° (replaceable KIT)
The thickness of the bevel. material:	6 - 60 mm / 0.23 to 2.36 in
Engine:	1500 W
Feed:	1.85 m/min. / 6 ft/min.
Weight:	190 kg / 418 lb
Dimensions:	530 x 480 x 749 mm 20.86 x 18.9 x 29.5 in

**Included in the price:**

Bevelling system UZ 29 SPEEDER  
Operator tools  
Instruction manual

Machine name:	Art. Nr. - 400V 3 phase	Art. Nr. - 480V 3 phase	Art. Nr. - 220V 3 phase
Bevelling system UZ 29 SPEEDER - set (KIT 30°)	1960	1901	1905
Bevelling system UZ 29 SPEEDER - set (KIT 45°)	1961	1902	1906
Bevelling system UZ 29 SPEEDER - set (KIT 30° + 45°)	1962	1903	1907
Bevelling system UZ 29 SPEEDER - set (KIT 22,5° + 30° + 37,5° + 45° + 50° + set of cutters PVD)	1963	1904	1908

**Accessories:**

	Art. Nr.
ECO cutting tool - suitable for conventional steel	1970
ECO cutting tool - suitable for conventional steel - 2 + 1 free set	1972
PVD cutting tool - suitable for tougher materials	1971
PVD cutting tool - suitable for tougher materials - 2 + 1 free set	1973
Separate KIT 22,5°	1966
Separate KIT 30°	1964
Separate KIT 37,5°	1967
Separate KIT 45°	1965
Separate KIT 50°	1968



Art. Nr. 1970



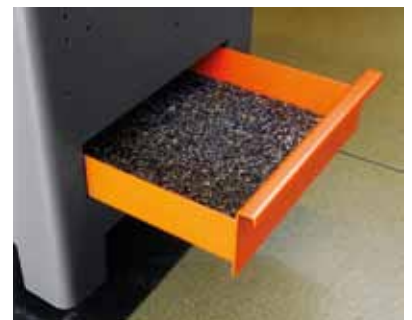
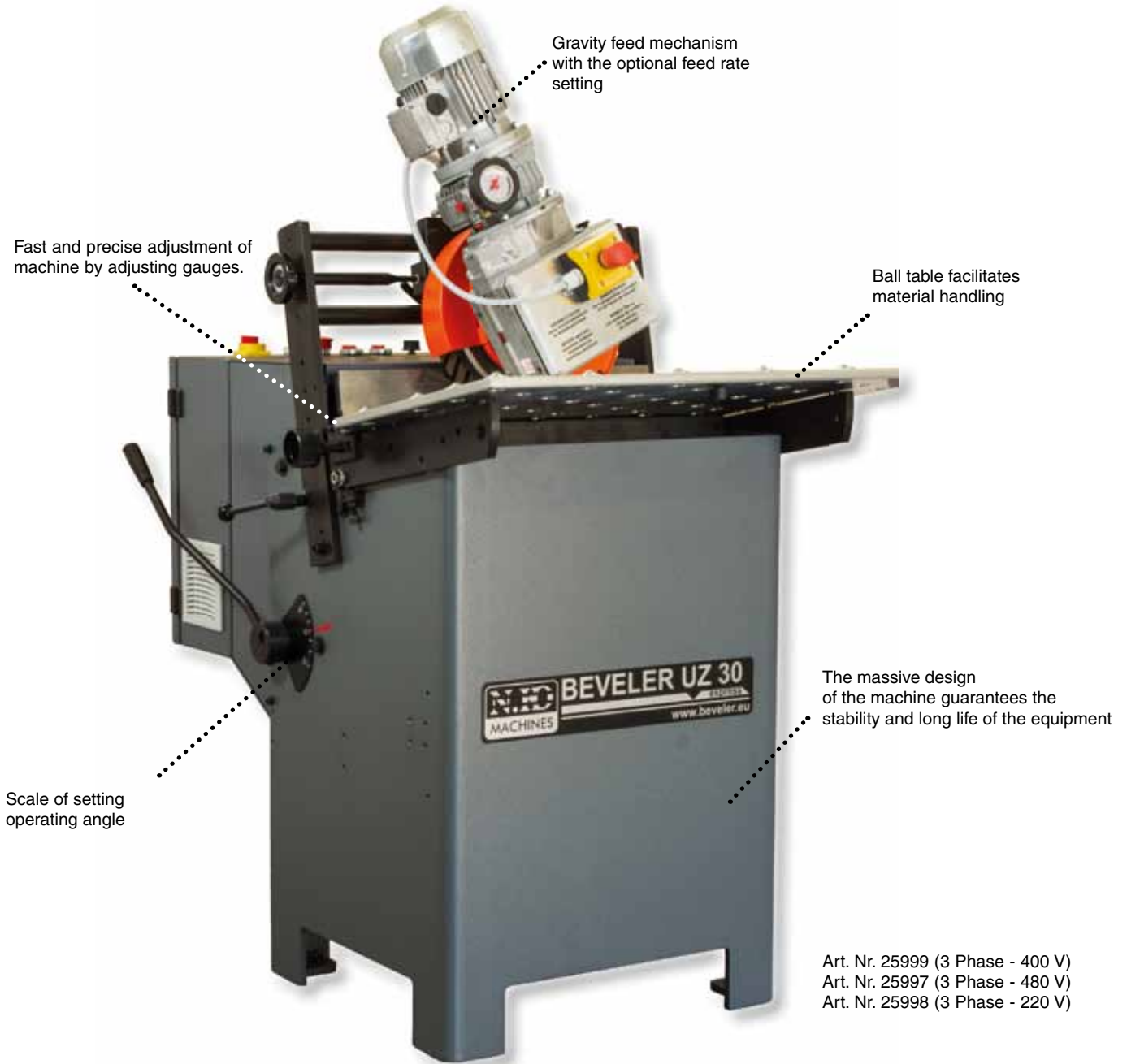
Art. Nr. 1972



Art. Nr. 1965



# UZ 30 Express





**Stationary UZ30 EXPRESS** is one of the few truly uncompromising solutions for bevelling large series of smaller and small workpieces or long, narrow strip material. UZ30 EXPRESS may be used not only for bevelling, but also is also suitable for just deburring the material. It is able to handle both these operations with confidence typical of much larger and more expensive machines. Thanks to the unique geometry of the tool the feed rate can be set up to the speed of 3.5 m/min. / 11.5 ft/min. If longer panels are bevelled it is possible to equip the machine with additional input and output table thus extending the work surface to remarkable 2 824 mm / 111.18 in.

- The machine designed for bevelling steel, aluminium, copper and other materials, flat bars, tubes, shaped bevelling.
- Bevelling by milling - high quality bevel (mirror finish).
- Feed control by variator.
- Cutter speed control by frequency converter.
- Another optional accessories for pipe bevelling.
- The possibility of extending the desktop (input and output table - a total of 2824 mm / 111.18 in including the base table).
- Fast and precise adjustment of the machine with the gauges.

**Technical data:**

Approximate values of the maximum bevel width:

- at 30° 30 mm / 1.18 in
- at 45° 20 mm / 1.10 in
- at 60° 17 mm / 0.67 in

Adjusting the bevel angle:

30 - 60° (continuous)

Thickness of the material:

3 to 100 mm / 0.11 to 3.93 in

Bevelling pipes:

Ø102 - 156 mm / Ø4.01 - 6.14 in

Cutting head engine:

3000 W

Cutting head speed:

Adjustable (frequency convertor)

Feed rate:

0,6 - 3,5 m/min. / 1.96 - 11.5 ft/min.

Weight:

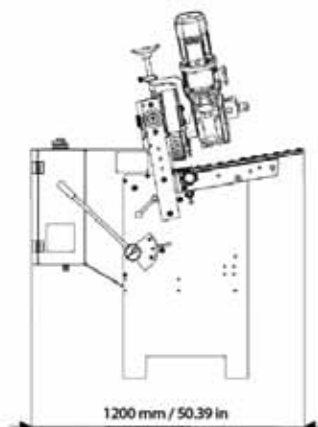
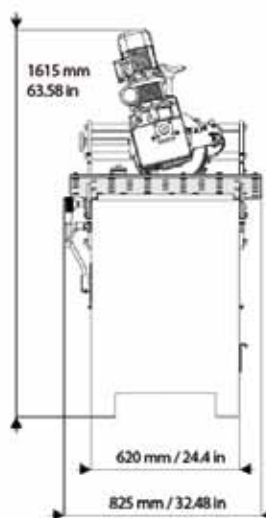
400 kg / 881.8 lb

Dimensions:

825 x 1200 x 1615 mm

Number of cutting tips:

5 pcs



**Included in the price:**

- Bevelling system UZ 30 EXPRESS
- Tools for operation and adjusting gauges
- Instruction manual

**Name of machine:**

	Art. Nr.
Bevelling system UZ 30 EXPRESS (3 Phase - 400 V)	25999
Bevelling system UZ 30 EXPRESS (3 Phase - 480 V)	25997
Bevelling system UZ 30 EXPRESS (3 Phase - 220 V)	25998

**Accessories:**

	Art. Nr.
Cutting head (incl. cutting tips, clamping wedges and screws)	25910
Cutting head (incl. cutting tips, clamping wedges and screws)	25907
Input and output table with adjustable stops (table length 1m/pc)	25908
Fixture for bevelling pipes Ø102 - 156 mm	25902
Adjusting gauges for machine adjustment	25916
Wedge for fastening of the inserts	25917
Screw for the wedge	25914



Art. Nr. 25908



Art. Nr. 25916



Art. Nr. 25902



Art. Nr. 25910



Art. Nr. 25907

# UZ 50 Triumph



3D adaptive system

**3** BEVELERS  
IN ONE



Remote control can be operated hand-held or clamped to the machine

Cutter powerful engine - 4000 W

Quick connect machine system

Rotary mechanism allows to perform two-sided bevelling without a need for material handling.

3D adaptive system compensates for inequality of floor and allows for the adjustment of machine position according to the situation at workplace.

Height adjustment of the machine position.

Dual system of synchronized feed units

Art. Nr. 1940 (3 Phase - 400 V)  
Art. Nr. 1952 (3 Phase - 480 V)  
Art. Nr. 1953 (3 Phase - 220 V)





Bevelling system UZ50 Triumph is another of the series of unique solutions developed by N.KO Machines. In this case, de facto three bevelling systems are implemented in a single machine.

Thus, UZ50 Triumph can be used at first as a mobile beveller which travels along the material to be machined at speeds up to 1.2 m/min / 3.93 ft/min. and does machining at an angle of 15° - 50°. Secondly, it is possible to rotate the entire machining unit upside down and create bevells for X and K welds without the need for handling the machined material. This application is made possible by the rotary mechanism of the 3D manipulator, which is a standard machine equipment. Finally, the third form of the machine is the ability to rebuild it for a stationary beveller (with the help of special equipment UZP 30) intended for the processing of smaller parts with a minimum length of the bevel edge of 200 mm / 8.19 in.

The UZ50 machine works on the principle of metal cutting and thanks to the ability to set the optimum cutting conditions, the machine is capable of machining otherwise difficult materials such as stainless steel, Hardox, Weldox and Domex. And of course, it can be also used for bevelling conventional steel.

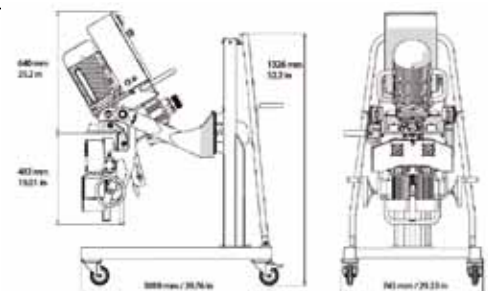
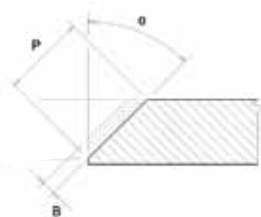
In the standard execution the machine is equipped with the unique 3D manipulator that is thanks to the 3D adaptive system function able to adjust the position of the machine to the material being worked according to the current situation at workplace thus eliminating any unevenness of the machined metal sheet or working floor. Of course, there is the possibility to rotate the machine by 180° vertically or reconfigure it.

Thanks to the quick-connect, function the UZ50 TRIUMPH machine can be repeatedly disconnected and connected to the 3D manipulator in a few seconds.

- Automatic feed with continuous adjustment of the feed rate in the range of 0 - 1,2 m/min. / 0 - 3.93 ft/min.
- High speed milling tool equipped with cutting tips with extended life.
- The variable adjustment of the desired angle in the range 15°-60° without having to replace any parts.
- All electronic equipment is closed in the dust-tight cabinet with increased vibration resistor
- The machine is equipped with the latest safety features.
- The possibility to buy ASP – active intelligent protection.
- The machine cuts problematic materials - e.g., stainless steel, Hardox, Weldox a Domex

**Technical data:**

Max. bevel width: 62 mm / 2.44 in  
 Adjusting the bevel angle: 15° - 60° (continuous)  
 Material thickness: 7 to 80 mm / 0.27 to 3.15 in  
 Motor of cutting head: 4000 W  
 Feed speed: 0 - 1,2 m/min. / 0 - 3.93 ft/min.  
 Weight: 175 kg / 385.8 lb  
 Dimensions: 1010 x 745 x 1326 mm  
 39.76 x 29.33 x 52.2 in  
 Number of cutting tips 5 pcs



bevel angle $\alpha$	max. width of the bevel (P)
15°	62 mm / 2.44 in (recommended in 3 cuts)
20°	62 mm / 2.44 in (recommended in 4 cuts)
25°	56 mm / 2.2 in (recommended in 4 cuts)
30°	52 mm / 2.04 in (recommended in 5 cuts)
35°	51 mm / 2 in (recommended in 5 cuts)
40°	51 mm / 2 in (recommended in 5 cuts)
45°	50 mm / 1.97 in (recommended in 5 cuts)
50°	51 mm / 2 in (recommended in 5 cuts)
55°	51 mm / 2 in (recommended in 5 cuts)
60°	52 mm / 2.04 in (recommended in 5 cuts)

B=max. 5 mm / 0.2 in (1 cut)

**Included in the price:**

Bevelling system UZ 50 TRIUMPH Operation tools  
 Instruction manual

**Machine name:**

	Art. Nr.
Bevelling system UZ 50 TRIUMPH - including 3D manipulator (3 Phase - 400 V)	1940
Bevelling system UZ 50 TRIUMPH - including 3D manipulator (3 Phase - 480 V)	1952
Bevelling system UZ 50 TRIUMPH - including 3D manipulator (3 Phase - 220 V)	1953

**Accessories:**

	Art. Nr.
Cutter head ECO 5 teeth	1946
Cutting tip (pack 10 pcs)	1945
Cutting head PREMIUM 9 teeth	1943
Cutting tip HARDOX (pack 10 pcs)	1955
Vertical guide tip for adjusted for HARDOX bevelling and other wear-resistant materials	1949
ASP active, intelligent machine protection against overload	1956
UZP 30 additional table for processing small pieces	1942
Screw for the inserts	1947

**ASP - Active intelligent machine protection against overload**

It is a system monitoring immediate machine load and machining conditions.

If the ASP system detects overload of the machine for reasons of tool wear, too high feed rate, or improperly adjusted machine, the ASP system informs the operator of this fact actively by flashing lights on the remote control.

If the operator fails to do steps leading to reduce load on the machine within 20 seconds (resizing removal, replacement of cutting tips, reducing speed), the system disconnects the supply of feed wheels and the machine stops. Beware, the system does not protect against the shock overload! The ASP system only is available for purchase as an accessory with a new machine.



Art. Nr. 1946



Art. Nr. 1943



Art. Nr. 1945



Art. Nr. 1955



**Bevelling system UZ 50 TRIUMPH + UZP 30 set**  
 Maximum bevel width 40 mm / 1.57 in. Automatic feed.

# UZ 50 Triumph

## + UZP 30 set



**3 BEVELERS  
IN ONE**



**set UZ 50 TRIUMPH + UZP30**

Hardened working desk

Storage area for remote control

Storage area for remote control

Supporting structure of the desk UZP 30

Art. Nr. 1941 (3 Phase - 400 V)  
 Art. Nr. 1954 (3 Phase - 480 V)  
 Art. Nr. 1957 (3 Phase - 220 V)





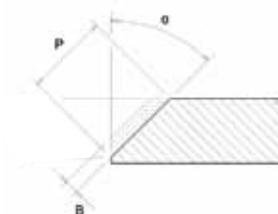


The UZP 30 product, using which we can turn the machine UZ50 TRIUMPH into the stationary beveling station for processing smaller workpieces or narrow strip material, can be purchased separately or in a set with the machine UZ50 TRIUMPH. Of course, the machine redesigned in this way retains all the advantages of UZ50 TRIUMPH and thus can be used for machining difficult materials such as stainless steel, Hardox, Weldox and Domex. Of course, it can also be used for beveling conventional steel. The minimum edge length of the bevelled material must be at least 200 mm / 7.87 in.

- The product is intended for use with the machine UZ50 Triumph.
- The variable adjustment of the desired angle of 20° - 60° without having to replace any parts.
- The product allows beveling small size workpieces that are inserted directly into the machine. The whole machining process is then automatic without having to hold the workpiece.
- The machine is equipped with the latest safety features.
- Possibility to buy ASP – active intelligent protection.
- The machine cuts problematic materials - e.g., stainless steel, Hardox Weldox and Domex.

**Technical data:**

Max. bevel width: 40 mm / 1.57 in  
 Adjusting the bevel angle: 20° - 60° (continuous)  
 Material thickness: 7 to 70 mm / 0.27 to 2.75 in  
 Cutting head motor: 4000 W  
 Feed speed: 0 - 1,2 m/min. / 0 - 3.93 ft/min.  
 Weight: 202 kg / 445 lb  
 Dimensions: 1010 x 745 x 1326 mm  
 39.76 x 29.33 x 52.2 in  
 Number of cutting tips 5 pcs

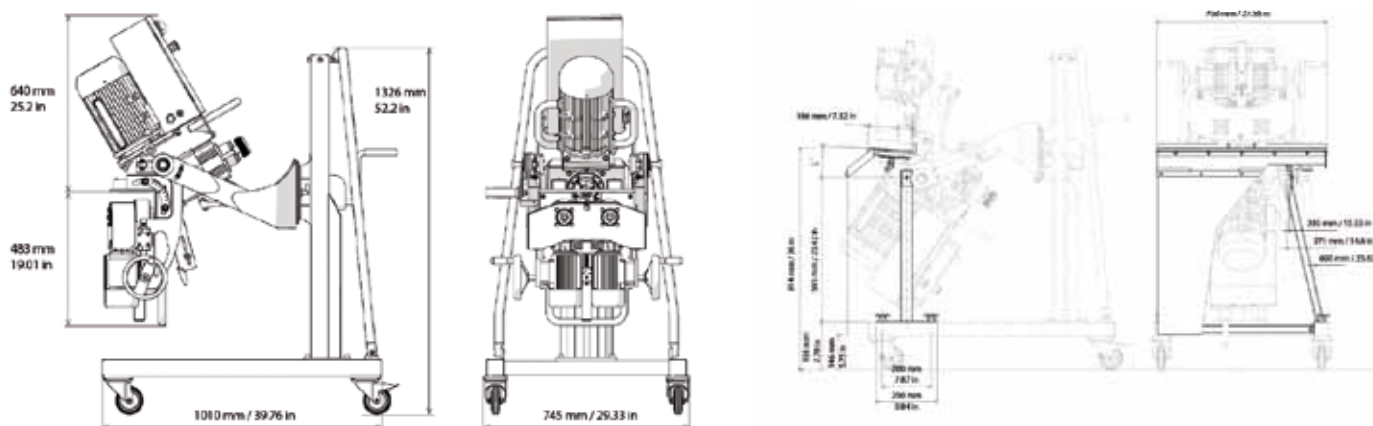


bevel angle $\alpha$	max. bevel width (P)
20°	12,7mm / 0.5 in (recommended in 2 reductions)
25°	16,7mm / 0.65 in (recommended in 2 reductions)
30°	19,5mm / 0.76 in (recommended in 2 reductions)
35°	20,5mm / 0.8 in (recommended in 2 reductions)
40°	22mm / 0.86 in (recommended in 3 reductions)
45°	28mm / 1.10 in (recommended in 3 reductions)
50°	31mm / 1.22 in (recommended in 5 reductions)
55°	34,8mm / 1.33 in (recommended in 5 reductions)
60°	40mm / 1.57 in (recommended in 5 reductions)

B=max. 4mm / 0.15 in (1 reduction)

**Included in the price:**

Beveling system UZ 50 TRIUMPH + UZP 30 set  
 Transport wooden box  
 Operation tool



**Machine name:**

	Art. Nr.
Beveling system UZ 50 TRIUMPH (incl. 3D manipulator) + UZP 30 set (3 Phase - 400 V)	1941
Beveling system UZ 50 TRIUMPH (incl. 3D manipulator) + UZP 30 set (3 Phase - 480 V)	1954
Beveling system UZ 50 TRIUMPH (incl. 3D manipulator) + UZP 30 set (3 Phase - 220 V)	1957

**Accessories:**

	Art. Nr.
Cutting head PREMIUM 9 teeth RECOMMENDED when using UZP 30!	1943
Cutting tip (10 pcs pack)	1945
Cutting tip HARDOX (10 pcs pack)	1955
Vertical guide plate adapted for beveling HARDOX and other wear-resistant materials	1949
ASP active, intelligent machine protection against overload	1956
Screw for the inserts	1947



Art. Nr. 1943

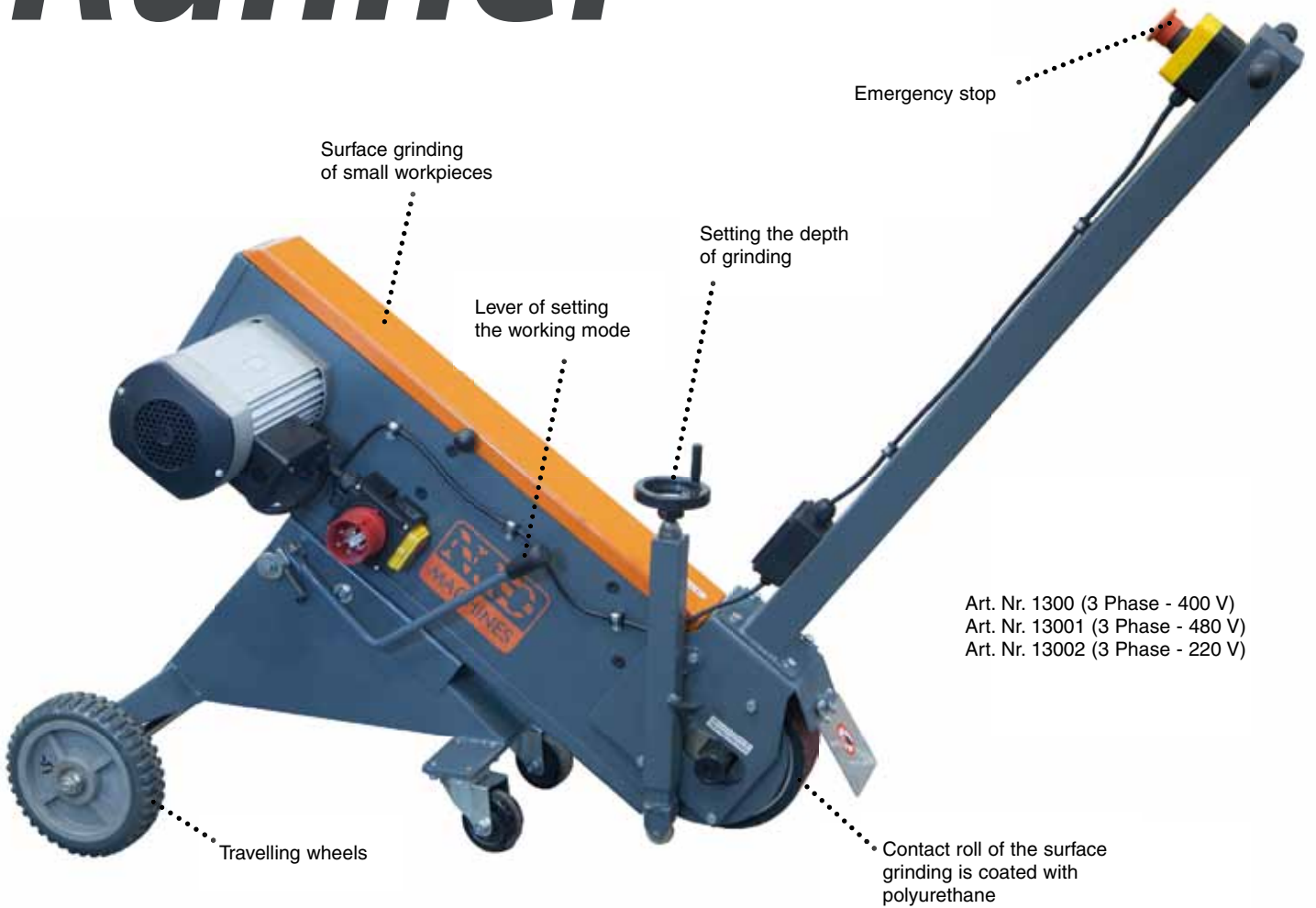


Art. Nr. 1945



Art. Nr. 1955

# Pasovec 75 Runner





**Pasovec 75 RUNNER** - the special belt grinder developed for surface grinding applications, in particular for grinding welds in the material surface and for removal of the undesirable layer resulting from the rolling of metal sheets or after metal sheet cutting using plasma or oxygen. The machine has a stable chassis, a quick adjustment mechanism and a depth stop for precise adjustment of the depth of grinding.

- Innovative, multifunctional machine.
- Continuous setting of the grinding depth.
- System for the quick work mode deactivation.
- Station of the surface grinding of small workpieces
- Low operational costs.

**Technical data:**

Grinding belt width	75 mm / 2.95 in
Grinding belt length	2000 mm / 78.74 in
Engine	3000 W
Number of speeds	1 - speed
Grinding belt peripheral speed	30 m/s / 98.42 ft/s
Dimensions (W x H x D)	610 x 944 x 1419 mm
	24 x 37.16 x 55.86 in
Weight	70 kg / 154 lb

**Included in price:**

- 1 pc Mobile belt grinder Pásovec 75 Runner
- 1 pc Grinding belt 75 x 2000 mm / 2.95 x 78.74 in, grain 80
- Operation manual
- Packed in a wooden crate

**Name of machine:**

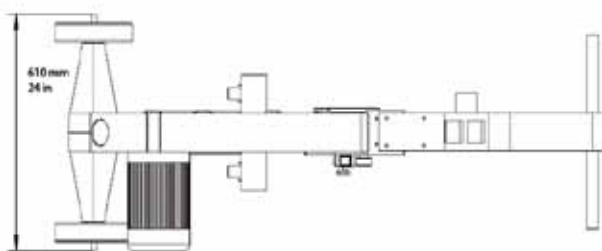
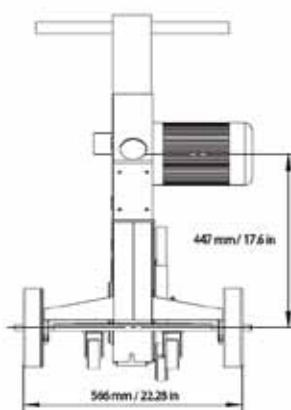
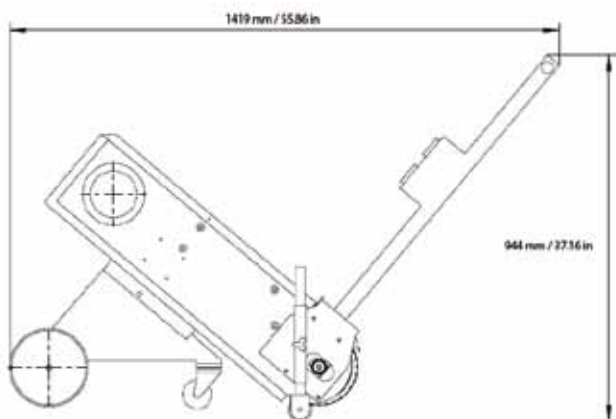
**Art. Nr.**

Mobile belt grinder Pasovec 75 Runner (3 Phase - 400 V)	1300
Mobile belt grinder Pasovec 75 Runner (3 Phase - 480 V)	13001
Mobile belt grinder Pasovec 75 Runner (3 Phase - 220 V)	13002

**Accessories:**

**Art. Nr.**

Universal grinding belt, dimensions 75 x 2000 mm / 2.95 x 78.74 in, grain 36 or 60, 80, 120, package of 10 pcs	PÁS STANDARD ZK75x2000
Grinding belt for higher grade materials (stainless steel), dimensions 75 x 2000 mm / 2.95 x 78.74 in, grain 36 or 60, 80, 120, package of 10 pcs	PÁS TOP Quality XK75x2000



## Accessories:

	Art. Nr.
Cutting tool ECO for the machine CEVISA - CHP6, CHP12 and other bevelling systems	2135
Cutting tool PVD for the machine CEVISA - CHP6, CHP12 and other bevelling systems	2235
Cutting tool ECO for the machine GULLCO - KBM 18	2133
Cutting tool PVD for the machine GULLCO - KBM 18	2233



Art. Nr. 2135



Art. Nr. 2133

## Expected life and the recommended care for the tool:

Tools intended for machining by rotary shear are designed for materials with the maximum strength of Rm up to 600 MPa / 87 022 PSI. Upon the compliance with all conditions specified in the instruction manual, the tool life may be up to 4000 m / 13 123 ft and more.

In practice, however, the life is about 2000 – 3000 m / 6561 - 9842 ft. A tool life is influenced by several factors:

### Material and its preparation

As already mentioned it is necessary to adhere to the maximum strength of the machined material.

When bevelling materials with higher than allowable strength the tool life rapidly decreases, but there is also a risk of the destruction of the tool or damaging the drive unit.

The tool life can also be affected by the preparation of the material before machining. If the material at your workplace is divided by burning, clean the edges intended for bevelling by angle or another grinder.

When burning, especially when plasma burning, edges of the material are hardened.

This can have a significant impact on the ultimate tool life. We recommend caution.

### Care for tool

Also the maintenance of the tool and especially the care for the tool has significant influence on the life of the tool.

During bevelling, it is important to check sharpness of the tool on a regular basis and if we find it dull, it is necessary to sharpen it immediately.

If we neglect this duty and continue to work with a dull tool chipping or destruction of the tool might occur.

### Working procedure

Also the machining procedure is important. This is thoroughly described in the instruction manual. Generally, when implementing the maximum possible reductions (bevel edge width) machining must be divided into two chips.

This whole issue is described in detail in the machine instruction manual.



## Warranty and Return Policy Information

NKO MACHINES warrants the BEVELERS to be free from defect in materials and workmanship for a period of 1 year, standard warranty (2 or 3 years warranty by machine type) from the date of shipment to the user. If the product fails to perform in accordance with the product specifications, NKO MACHINES will repair or replace, at its option, the defective materials or parts. NKO MACHINES will pay customary freight charges from NKO MACHINES to the customer location only. This warranty does not cover damage caused by accident, misuse, abuse, alteration and other defects not related to material or workmanship. To exercise your rights under this warranty, contact NKO MACHINES.

The user/owner must operate the equipment in strict accordance with the most recent User Manual and any additional training or training materials provided by NKO MACHINES designated representatives.

The user/owner of this equipment shall have sole responsibility and liability for any injury to person or damage to property resulting from: 1) Operation not in accordance with supplied operating instructions, 2) Maintenance not in accordance with authorized representative, 4) Modification of the equipment or accessories and 5) Use of damaged or unauthorized components and accessories.

## Damaged Shipments

All shipments should be inspected at the time of delivery. Obviously damaged packages should be refused. If your damaged shipment was delivered by transport company, please call them and report the damage. After contacting the carrier, please call your supplier for further assistance with the damaged shipment, and to make arrangements for a replacement.

## Trademarks

© NKO MACHINES All rights reserved. All manufacturers' names, numbers, symbols and descriptions are used for reference purposes only, and It is not implied that any part listed is the product of these manufacturers or approved by any of these manufacturers.

# NKO Machines around the world

Las Vegas - USA



Bengaluru - India



Melbourne - Australie



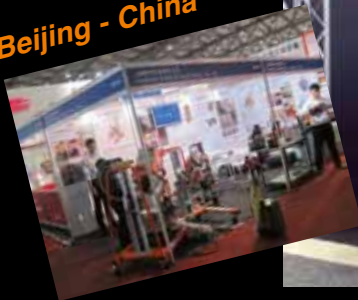
Brno - Czech Republic



Kielce - Poland



Beijing - China



Moskva - Russia



Johannesburg - SA



Bangkok - Thailand



Jakarta - Indonesia



Hannover - Germany



# DEVELOPMENT AND PRODUCTION





[www.beveler.eu](http://www.beveler.eu)  
[www.bevelerUSA.com](http://www.bevelerUSA.com)

### **PRODUCER ADDRESS**



**N.KO spol. s r.o.**  
a Member of Richtr Group  
producer of bevelling machines  
Táborská 398/22  
293 01 Mladá Boleslav  
Czech Republic, European Union  
VAT NUMBER: CZ26161109

**email: [nko@nko.cz](mailto:nko@nko.cz)**

**website: [www.beveler.eu](http://www.beveler.eu)**

**Call us: + 420 326 772 001**

---

### **AUTHORIZED PARTNER USA & CANADA**



**BEVELER USA INC.**  
a Member of Richtr Group  
6538 Collins Avenue, #286  
Miami Beach  
FL 33141  
USA

**email: [sales@bevelerusa.com](mailto:sales@bevelerusa.com)**

**website: [www.bevelerUSA.com](http://www.bevelerUSA.com)**

**Toll Free: 1-800-973-1138**

**Office phone: 1-412-452-2563**

### **WAREHOUSE / WORKSHOP**

**BEVELER USA INC.**  
328 14th Street  
Ambridge, PA 15003

