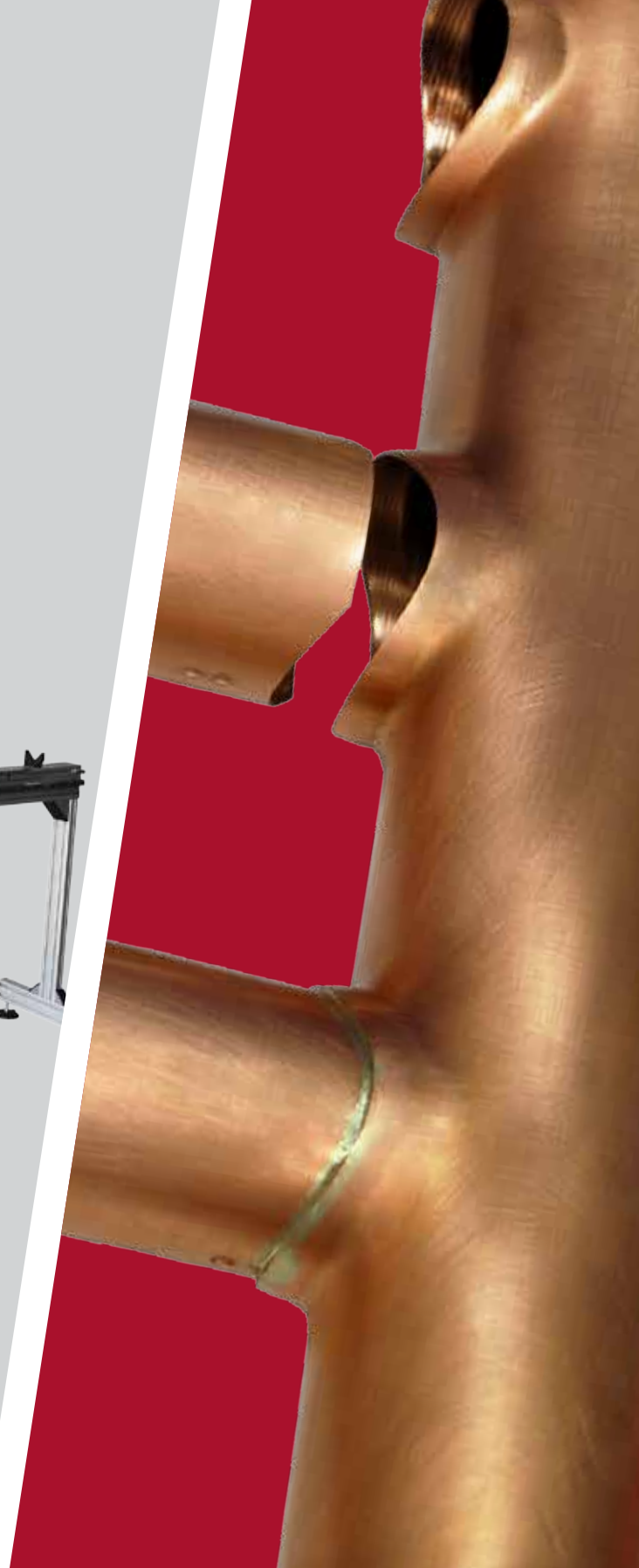


T-DRILL

PRODUCTIVITY AS A PRODUCT.



COLLARING UNIT

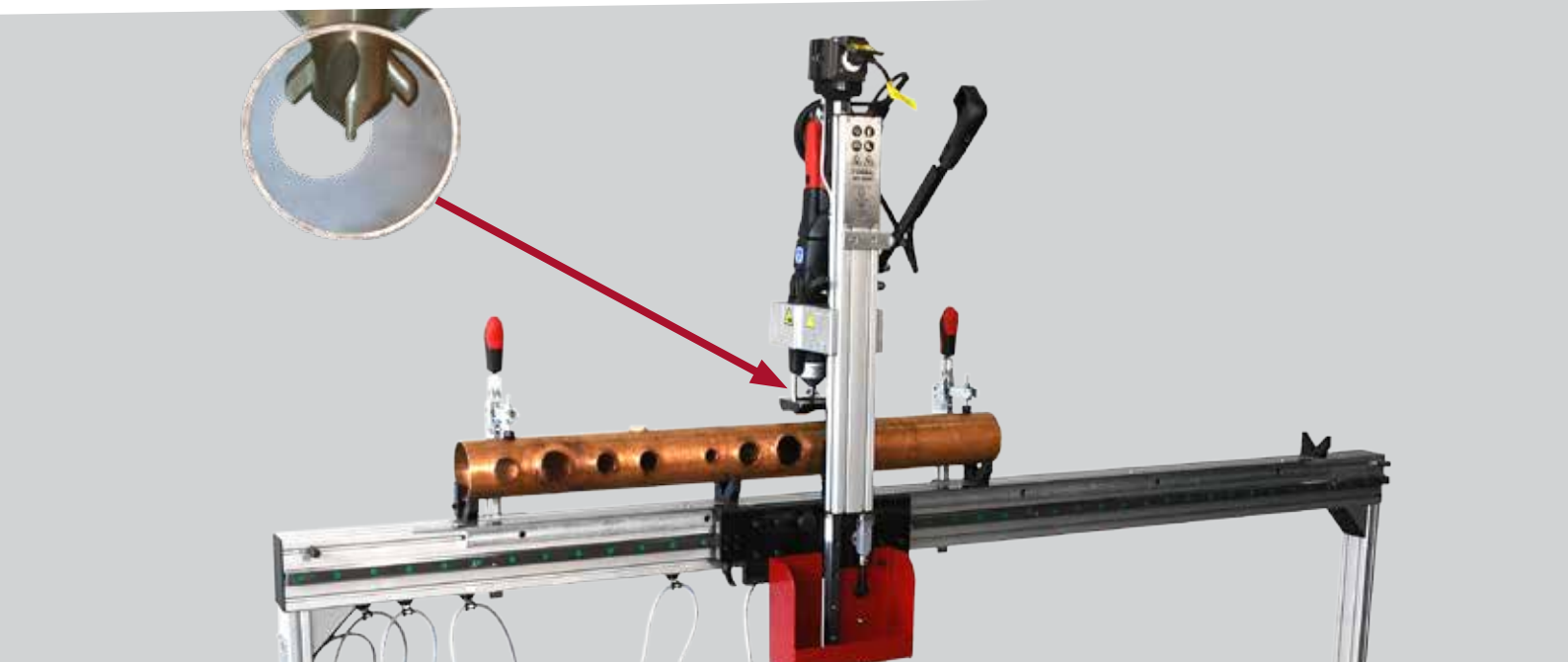
Hand Feed Table for small volume production of copper manifolds

HFT-2000

HFT-2000 COLLARING UNIT

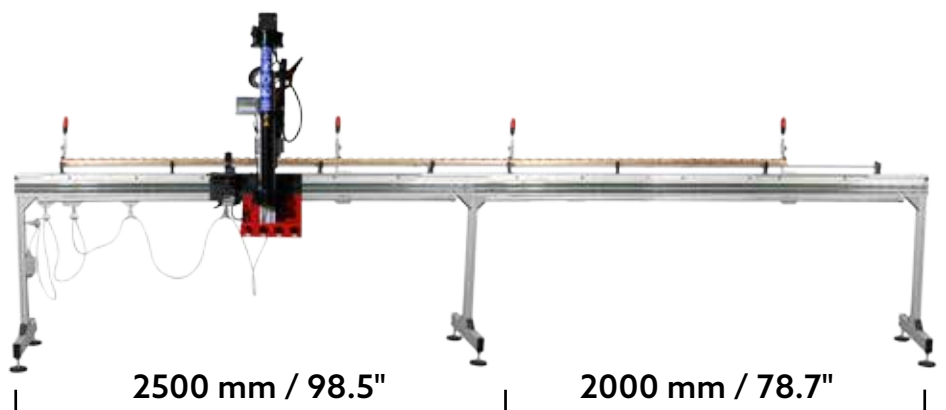
T-DRILL HFT-2000 is a Hand Feed Table to be used in conjunction with **T-DRILL T-35** or **T-65** collaring machines for small volume copper or aluminium manifold production. Hand Feed Table is capable of producing collars of 8-54 mm (OD 5/16"-2 1/8") in run tubes from 15-108mm (OD 5/8"-4 1/8"). With the **HFT-2000** you can produce twenty 28 mm (1 1/8") collars in less than ten minutes without moving the tube.

The collaring machine is manually moved by the operator after each produced collar. Based on easy *pin-to-hole* positioning, it is very productive on standard manifold production. **T-DRILL** collars give most reliable tube joints being used with the most extreme applications. Use **T-DRILL** - no leakages.



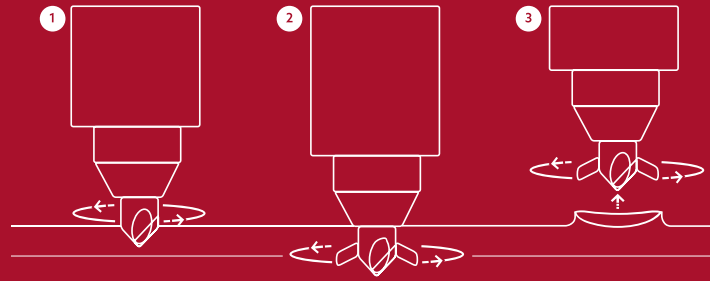
HFT-2000 Extension modules

The maximum length of work pieces on HFT-2000 is 2000 mm. The maximum length can be increased with optional easy-to-install 2000 mm extension modules.



THE T-DRILL PROCESS

T-DRILL Collaring is the industry standard tube branching method for automotive and air-conditioning (HVAC) industries worldwide.



1. Drilling of the pilot hole

2. Extension of the forming pins

3. Finished collar



1. Easy and precise positioning with index plate at two customised intervals. 2. Free positioning with locking lever and measure.

3. Quick and flexible fastening of pipes. 4. Optional digital display.

5. Fastening for bent pipes. 6. Optional tube rotation.

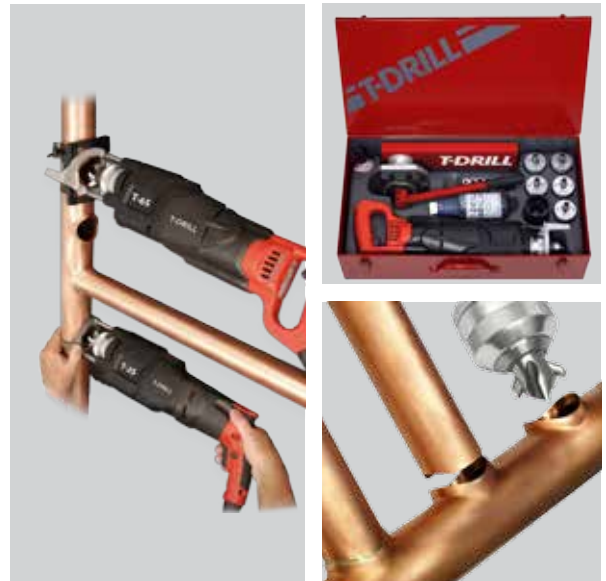
HFT Capacity



Branch tube outside diameter

Run tube outside diameter	Branch tube outside diameter										
	8 mm 5/16"	10 mm 3/8"	12 mm 1/2"	15 mm 5/8"	18 mm 3/4"	22 mm 7/8"	28 mm 1 1/8"	35 mm 1 3/8"	42 mm 1 5/8"	54 mm 2 1/8"	
15 mm 5/8"	0.8	1.0	1.2	1.2	-	-	-	-	-	-	
18 mm 3/4"	0.8	1.0	1.2	1.5	1.2	-	-	-	-	-	
22 mm 7/8"	0.8	1.0	1.2	1.5	1.5	1.5	-	-	-	-	
28 mm 1 1/8"	0.8	1.0	1.2	1.5	1.5	1.5	1.5	-	-	-	
35 mm 1 3/8"	0.8	1.0	1.2	1.5	1.5	1.5	1.5	1.5	-	-	
42 mm 1 5/8"	0.8	1.0	1.2	1.5	1.5	1.5	1.5	2.0	2.0	-	
54 mm 2 1/8"	0.8	1.0	1.2	1.5	1.5	1.5	1.5	2.0	2.0	2.0	
64 mm 2 1/2"	0.8	1.0	1.2	1.5	1.5	1.5	1.5	2.5	2.5	2.5	
76.1 mm 3"	0.8	1.0	1.2	1.5	1.5	1.5	1.5	2.5	2.5	2.5	
88.9 mm 3 1/2"	0.8	1.0	1.2	1.5	1.5	1.5	1.5	2.5	2.5	2.5	
108 mm 4"	0.8	1.0	1.2	1.5	1.5	1.5	1.5	2.5	2.5	2.5	

Max. wall thickness according to capacity chart (mm),
T-35 range inside red rectangle.



T-35 & T-65 Cu Collaring units

The heavy duty **T-DRILL T-35** and **T-65** are portable, easy-to-use, low-noise tee forming machines for professionals. The machines are an ideal solution for making tee joints in the main run tube. It gives you a remarkable competitive advantage by eliminating all tee fitting costs.

DO IT WITH T-DRILL

Cut costs – Improve quality – Increase profit

- No T-fittings
- No costly inventories
- No tube cutting

- Only one brazed joint
- Minimized inspection cost
- Tee ratio variation flexibility

- Smaller chance of leakage or call-backs
- Optimized flow-characteristics

MANUFACTURER:

T-DRILL

T-DRILL OY

Ampujantie 32
66400 Laihia, FINLAND
Tel. +358 6 475 3333
Telefax +358 6 475 3300
sales@t-drill.fi, www.t-drill.fi

REPRESENTED BY:

T-DRILL Industries Inc.

1740 Corporate Drive,
Suite #820, Norcross,
Georgia 30093 USA
Tel. +1-770-925-0520,
Toll-free +1-800-554-2730
Telefax +1-770-925-3912
sales@t-drill.com
www.t-drill.com